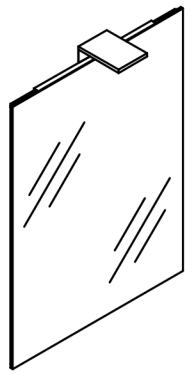
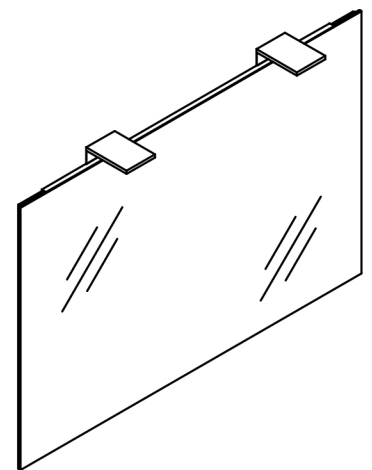


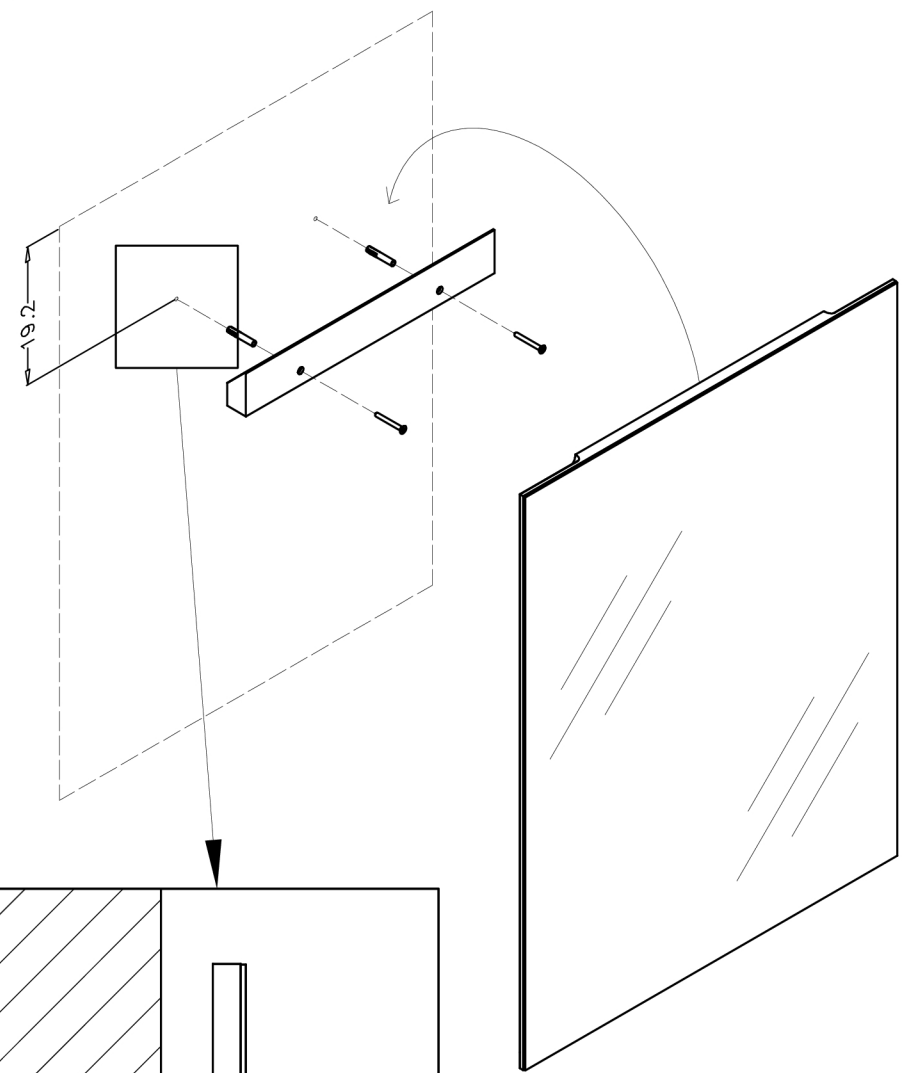
A



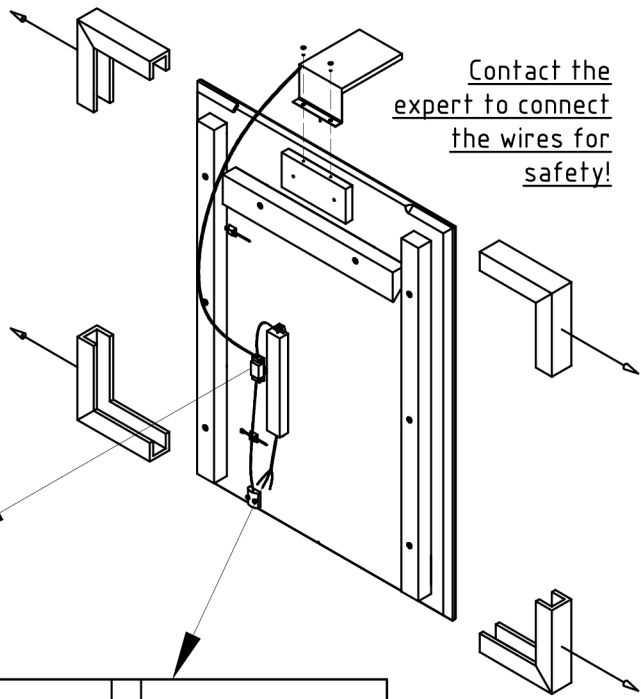
B



2



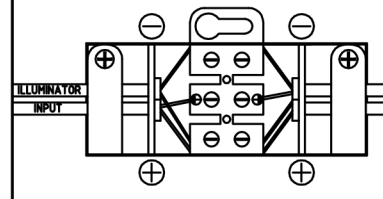
1



Contact the expert to connect the wires for safety!

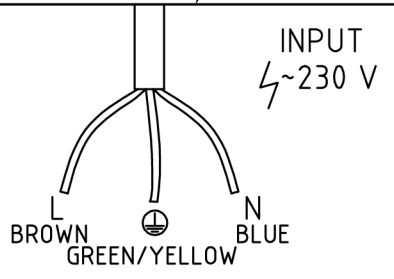
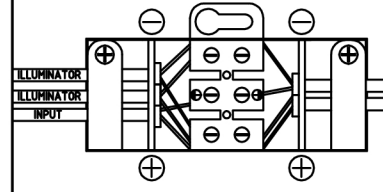
A

OUTPUT 12 V



B

OUTPUT 12 V



Kamē