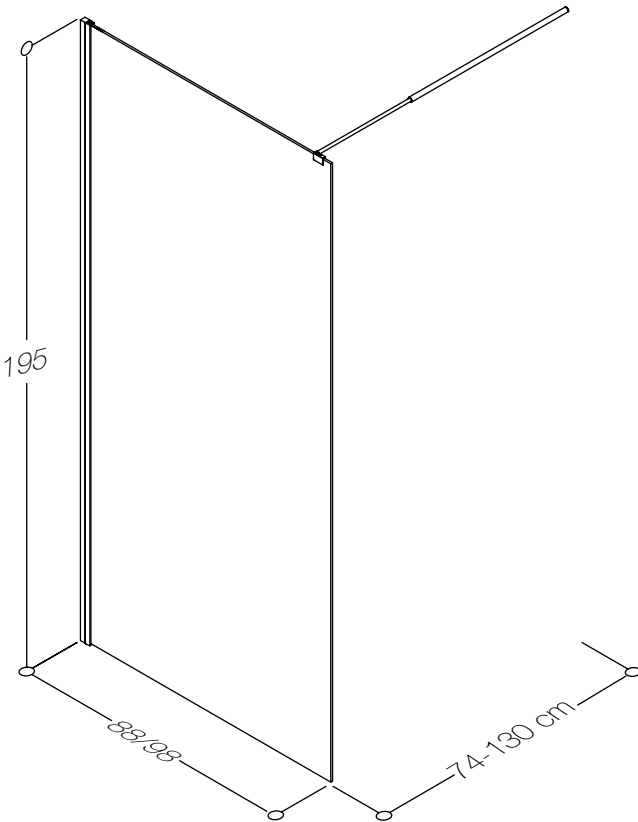


Kamê

85661111 • 85881111 SIENA

ASSEMBLY AND MAINTENANCE INSTRUCTION



SIZE: 88x195 cm/max 90 cm
98x195 cm/max 100 cm

MAINTENANCE OF SHOWER ENCLOSURE

AFTER INSTALLATION

Seal seams of the frame with silicon. Use neutral detergent to clean the aluminium frame and glass and polish them with a soft cloth. Let the seems rest for 24 hours to guarantee the waterproof construction.

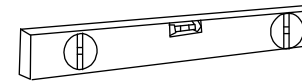
EVERYDAY CARE

Open and close doors gently to avoid the damage of the glass. Oil the sliding elements every month to guarantee the smooth sliding. Do not use acid or alkali solutions and knives to scrape the shower room. Perform gentle cleaning and maintenance periodically. Keep the door open to have the shower area well ventilated.

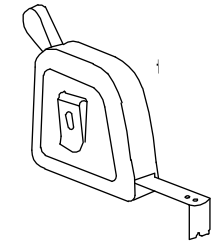
5
years **GUARANTEE**

Kame grants a 5 year warranty against manufacturing defects, providing the installation, cleaning and maintenance instructions are followed.

level ruler



tape measure



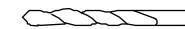
pencil



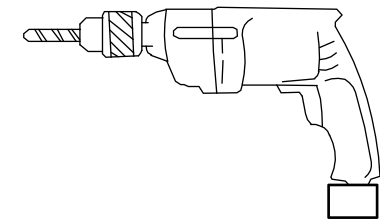
ruler



3 mm drills



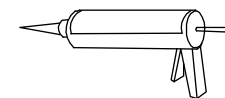
electric drill



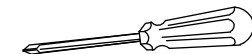
screwdrivers blades



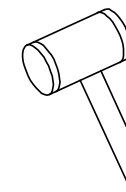
organic glass gun



screwdriver



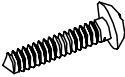








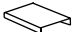


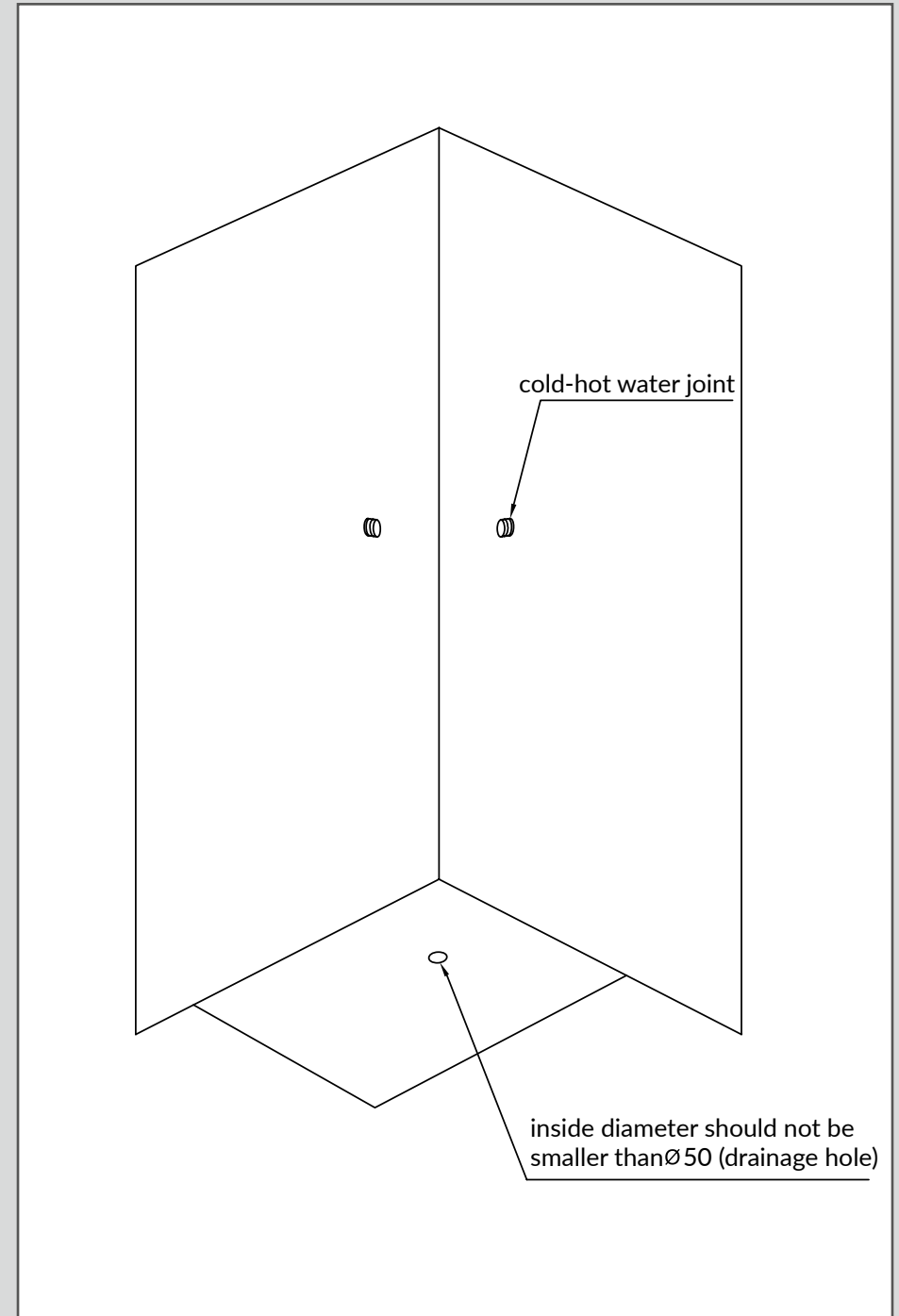
rawhide hammer

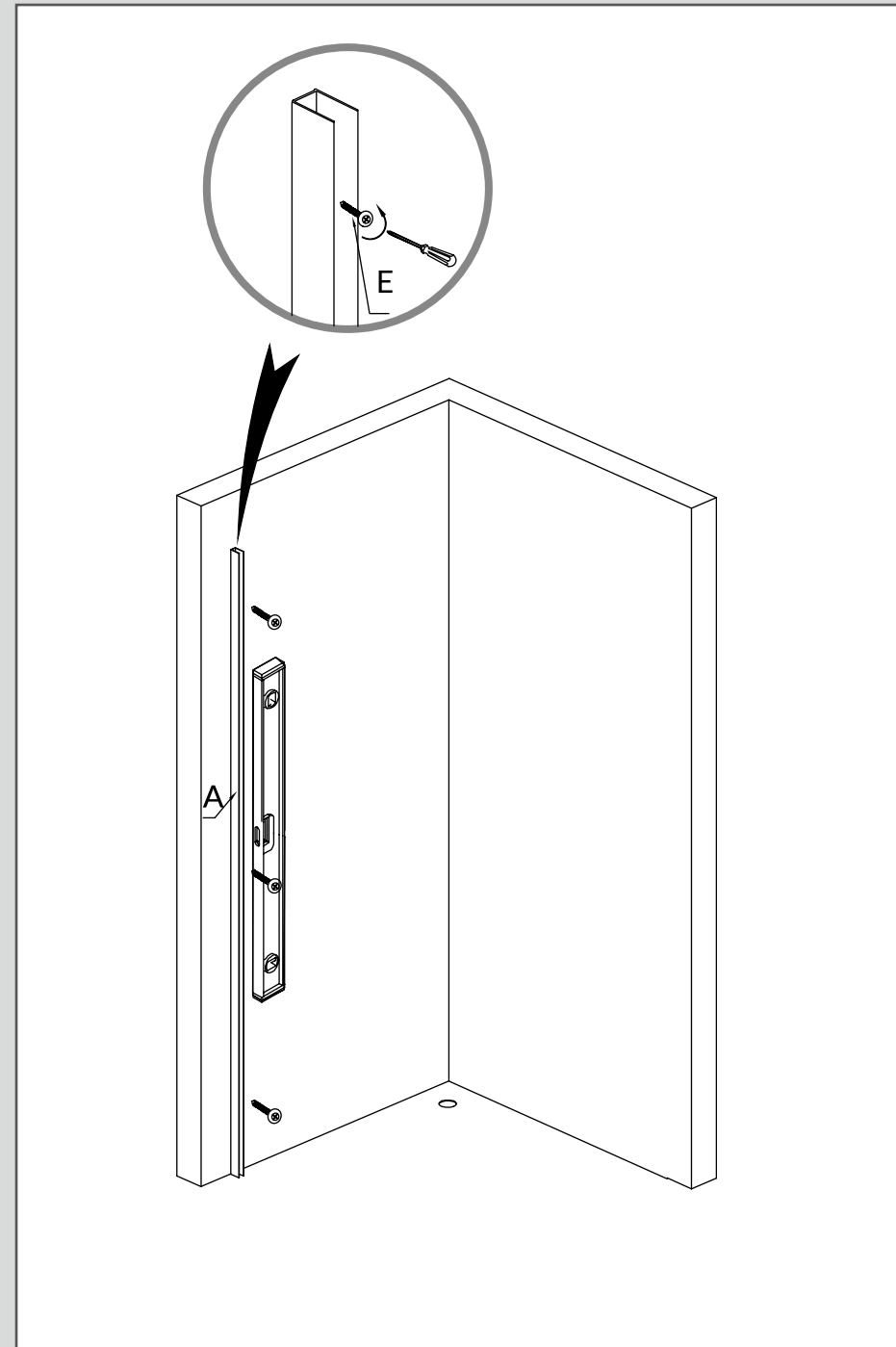
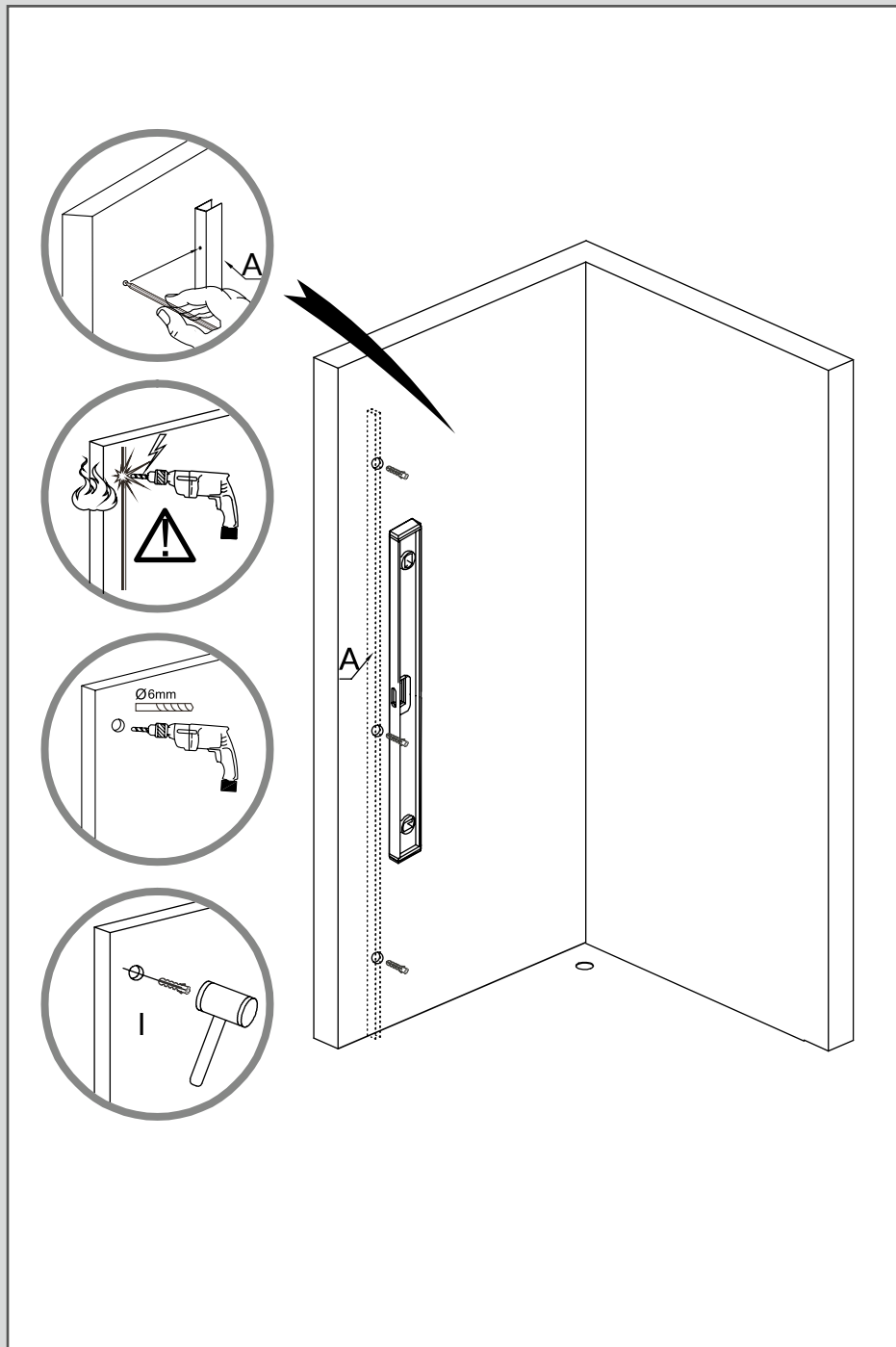


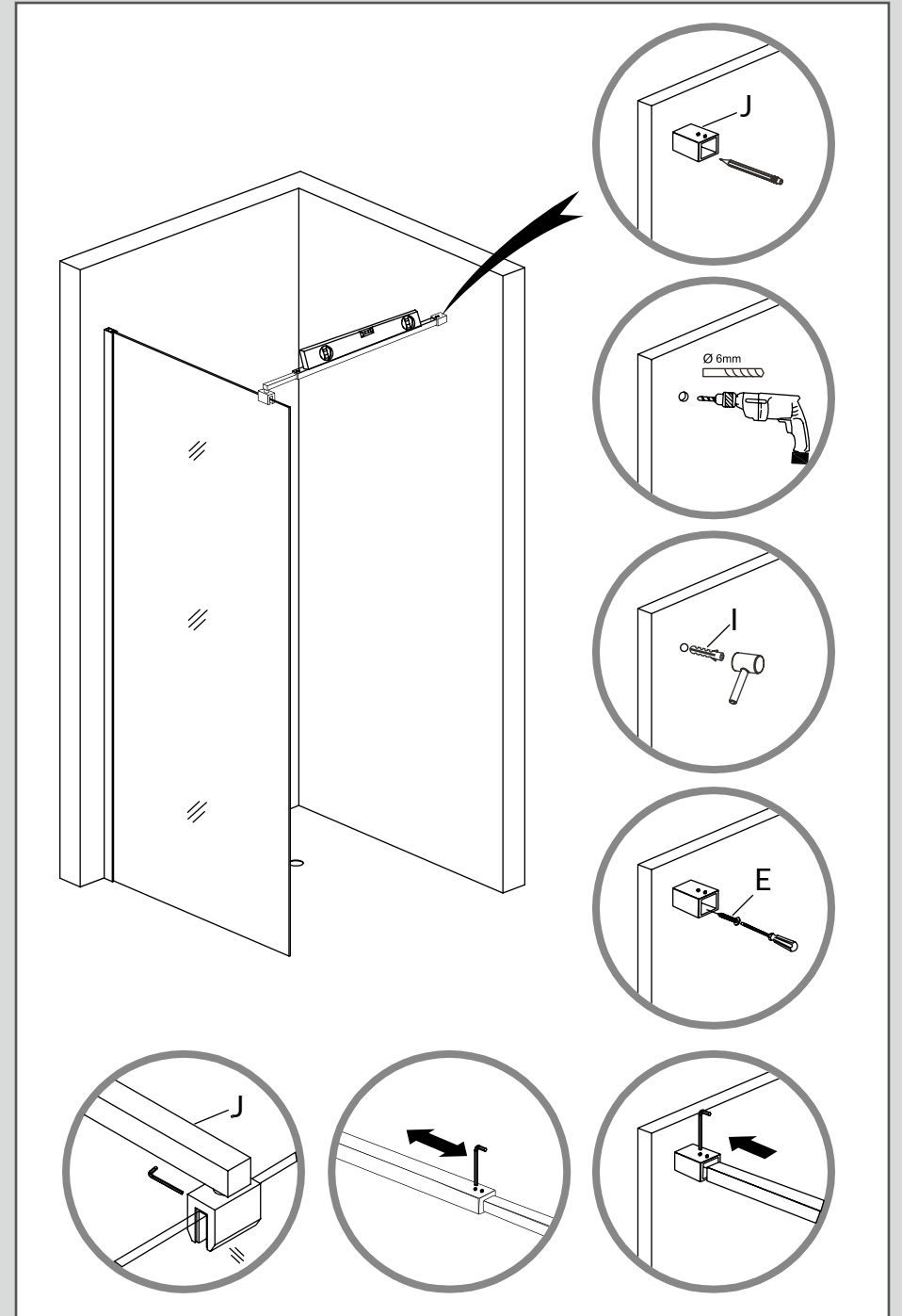
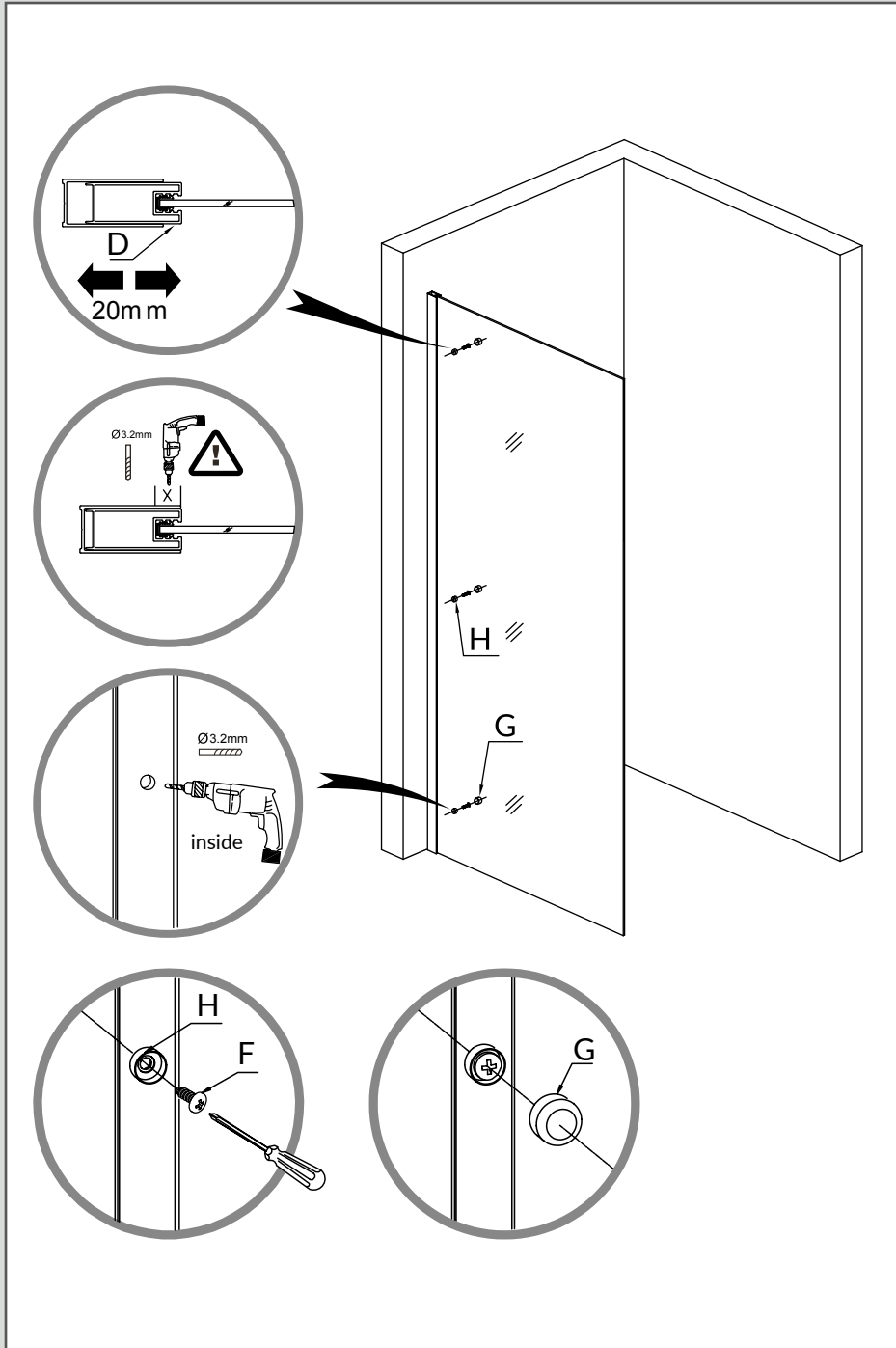
spanner



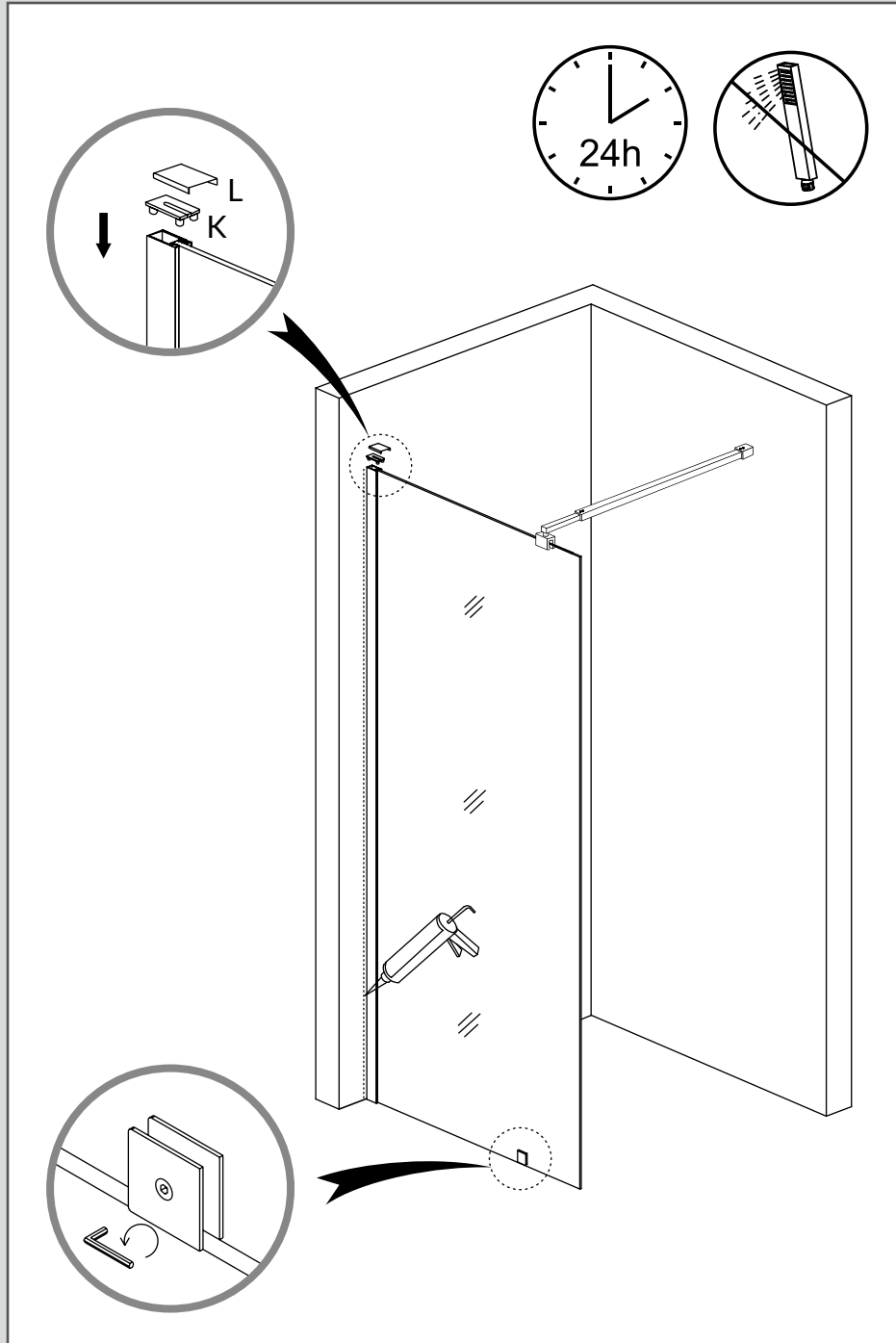
COMPONENTS			
CODE	NAME	MODEL	QTY
A	Wall profile		1
B	Fixed glass		1
C	Round head screw ST4x30mm	 	1
D	Round head screw ST4x12mm	 	3
E	Outer screw cup		3
F	Inner screw cup		3
G	Expansion pipe		4
H	Adjustable holder		1
I	Cover cap		1
J	Cover cap		1







Kamě



Kamė

Kamė UAB

Kokybės 4, Biruliškių km., Kauno r., LT -54469, Lithuania

Tel: +370 37 709 897 | info@kame.lt | www.kame.lt